

Product innovation

Level meter Series MFN

EGE

YOUR SENSOR SPECIALIST



Reliable - precise - smart

- Precise and reliable level measurement even under difficult conditions
- For liquids from oil to water
- With IO-Link interface
- Quick reaction to level changes
- Wetted parts: PEEK, stainless steel



Application

The level sensors MFN detect safely and accurately the level of water, oil or emulsions - Completely independent of density, temperature or pressure. The sensors are available in single rod (mono rod) and coaxial probe versions. In aqueous media, the monostab version works optimally. The coaxial probe is perfect for level measurement in oils and for use in very narrow containers.

Functions (Selection)

- Unit of measurement selectable
- Configurable outputs
- 180° flipping of display
- Status LEDs for units and switching outputs
- IO-Link Device V1.1
- User groups configurable
- Measurement range: Total length of probe

Type

MFN-1A-GAPL-MSVxxxx (Single probe, length xxxx mm)

MFN-1A-GAPL-KSVxxxx (Coax probe, length xxxx mm)

Accessories

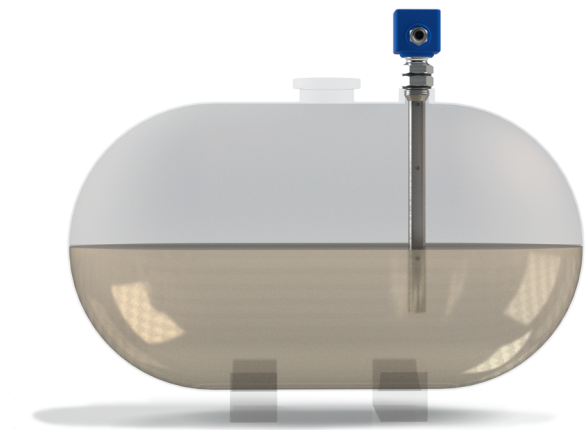
IOL-Master-Set V1.1

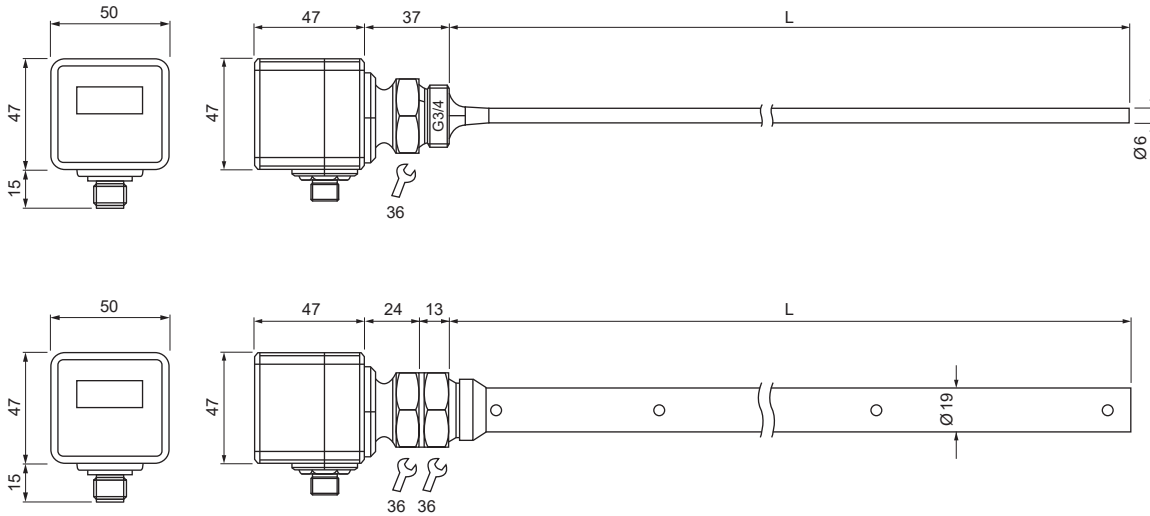
IO-Link

IO-Link is a point-to-point communication interface include enabling parametrization of sensors and actuators using a PC / Notebook and an interconnected master module.

Installation

The sensors have a G3/4 thread and are mounted into a tank from the top. The display unit can be rotated 330° in relation to the measuring rod. The probes are available up to 120 cm for the standard versions. Special lengths and materials are possible.





Technical data

Measuring range	[mm]	0,0...Rod end	
Design		Single probe	Coax probe
Type		MFN-1A-GAPL-MSVxxxx	MFN-1A-GAPL-KSVxxxx
Deviation fill level of measured value	[mm]	±4	
Offset error	[mm]	0	
Dielectric constant of the medium	[ϵ_r / DK]		
Single probe		≥ 20	
Coax probe		≥ 2	
Output S1		PNP-NO/NC, NPN-NO/NC, IO-Link	
Output S2		PNP-NO/NC, NPN-NO/NC, analog 4...20 mA	
Supply voltage	[VDC]	18...30 DC	
Current consumption	[mA]	≤ 70	
Switching current	[mA]	≤ 150	
Ambient temperature	[°C]	-10...+60	
Medium temperature	[°C]	-10...+80	
Compressive strength	[bar]	10	
Sensor material		AISI 316 L, AISI 316 Ti, PEEK, only Koax: POM	
Housing material		PBT, AISI 303	
Sealing material		NBR, AFM 34	
Display flow		3-digits, 7-segment blue	
Rotation of the display	[°]	330	
Protection	[EN 60529]	IP 67	
Connection		M12 connector	
Programmable functions		Operating modes: Hysteresis function, window function, analog output, unit	
IO-Link		V1.1, COM2, 2.3 ms, SIO-Mode supported	
Accessories		IOL-Master-Set V1.1	